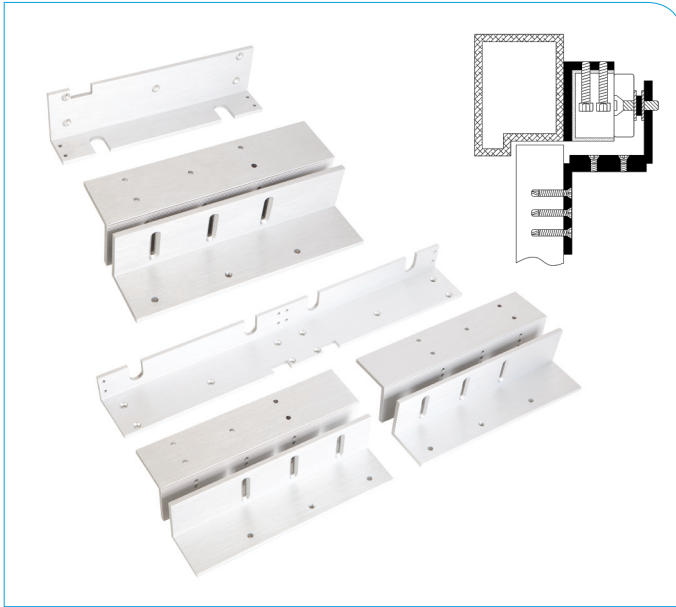


PRODUCT ELECTRO MAGNETIC LOCKING DEVICES ACCESSORIES

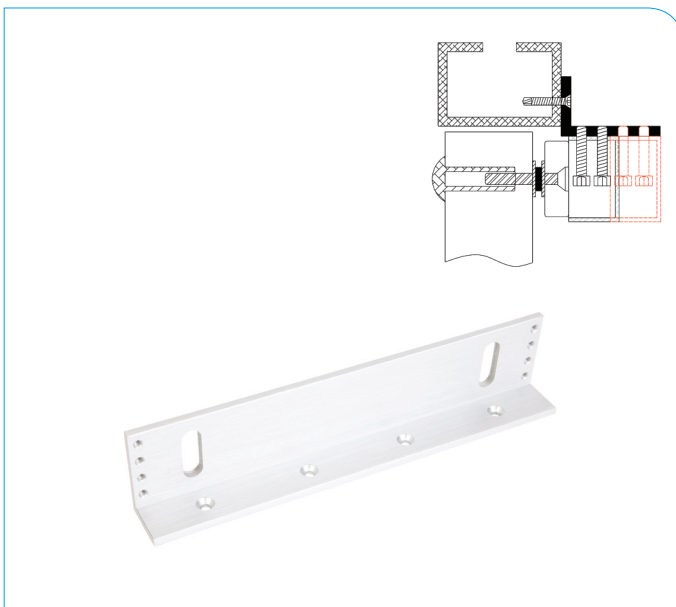


PRODUCT DESCRIPTION

Adjustable "L" and "Z" brackets for inward opening doors.

TECHNICAL DETAILS

PART NO.	BRACKET TO SUIT
AMZB1-LP	FEM5000G/FEM5700/FEM4000HST*
AMZB1D-LP	FEM5700D/FEM4000DHST*
AMZB1-LP DSS	FEM5700M
AMZB1D-LP DSS	FEM5700DM
AMZB4-LP	FEM3500/FEM4700FS*
AMZB4D-LP	FEM3500D
AMZB4-LP	FEM3500M
2 x AMZB4D-LP	FEM3500DM
AMZB3	FCCW30S/FEM4500FS

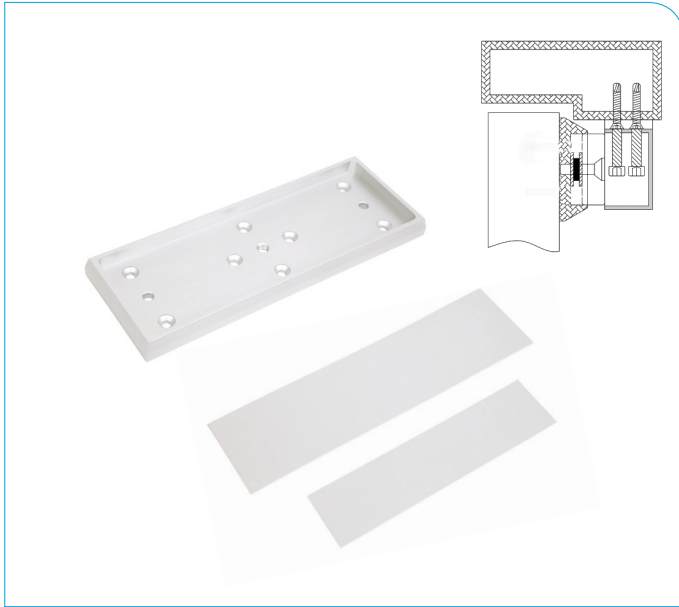


PRODUCT DESCRIPTION

Adjustable "L" bracket for narrow header doors.

TECHNICAL DETAILS

PART NO.	BRACKET TO SUIT
AMLB1	FEM5700
2 x AMLB1	FEM5700D
AMLB1	FEM5700M
2 x AMLB1	FEM5700DM
AMLB4	FEM3500/FEM3500M
2 x AMLB4	FEM3500D/FEM3500DM
AMFB3	FCCW30S/FEM4500FS

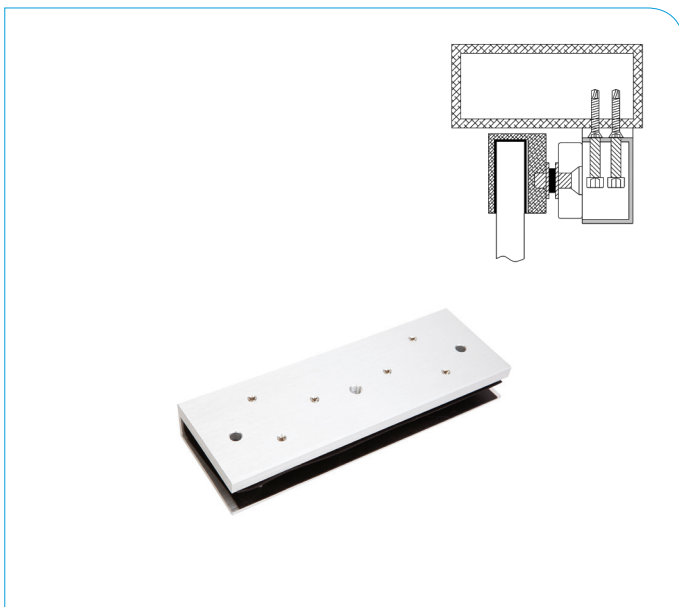


PRODUCT DESCRIPTION

Stick on armature plate holder for glass doors.
(recommended 3MVHB tape, not supplied)

TECHNICAL DETAILS

PART NO.	BRACKET TO SUIT
AMAB1	FEM5700
2 x AMAB1	FEM5700D
AMAB1 DSS	FEM5700M
2 x AMAB1 DSS	FEM5700DM
AMAB4	FEM3500
2 x AMAB4	FEM3500D
AMAB4	FEM3500M
2 x AMAB4	FEM3500DM



PRODUCT DESCRIPTION

Glass Door Bracket "U-Profile" to fix armature plate to 10-12mm glass doors.

TECHNICAL DETAILS

PART NO.	BRACKET TO SUIT
AMGB1-12	FEM5700
2 x AMGB1-12	FEM5700D
AMGB1-12 DSS	FEM5700M
2 x AMGB1-12 DSS	FEM5700DM
AMGB4-12	FEM3500
2 x AMGB4-12	FEM3500D
AMGB4-12	FEM3500M
2 x AMGB4-12	FEM3500DM