

PRODUCT FES10 SERIES

ELECTRIC STRIKE –ANSI FOOTPRINT



FES10 SERIES

PRODUCT DESCRIPTION

The patented small ANSI footprint, FES10 Series Electric Strikes are designed for light commercial and residential applications. They accept voltages of either 12 or 24VDC, are fire tested up to a 4 hour fire resistance rating to both Australian and British Fire Test Standards.

The strikes are easily site-interchangeable Power To Lock (PTL) or Power To Release (PTR) by simply changing over the Barbell mechanism. The device is pre-drilled to cater for extension lips, come with a 5 year warranty and have a holding strength of up to 1300kg. The FES10M version comes with Door Status Sensor (door latch monitoring). The FES10 version is weather resistant IP56 rated.

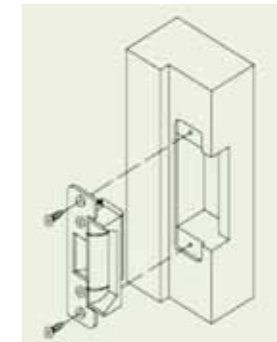
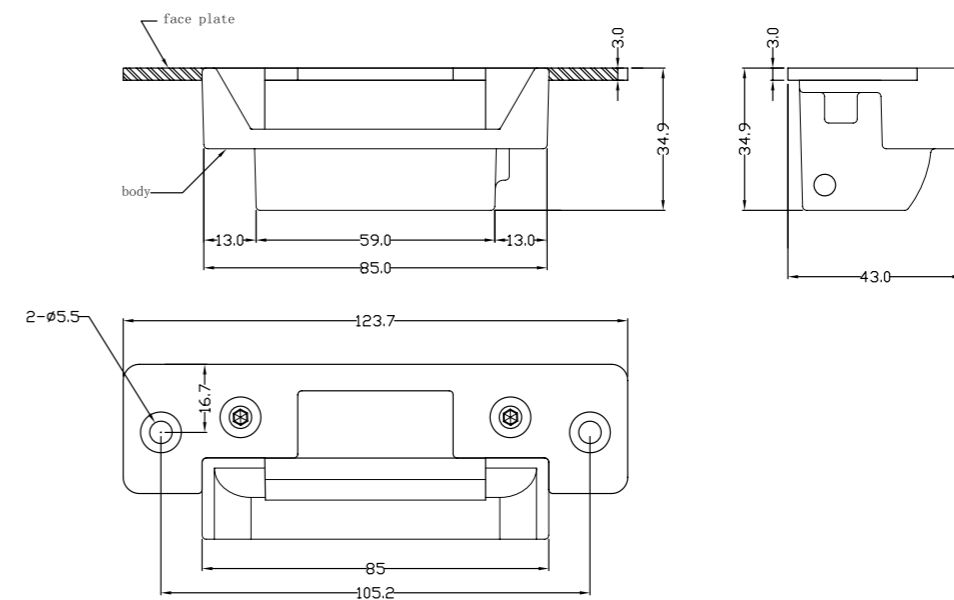
TECHNICAL DETAILS

PART NO.	FES10M	FES10
FUNCTION	Mortise mount, Power To Lock/Power To Release site interchangeable. Input Voltage: 12/24VDC	
HOLDING STRENGTH	Over 1300kg	
VOLTAGE/CURRENT	Dual Voltage 12VDC/200mA 24VDC/100mA	
APPROVALS	2 hour fire rated to A.S. and B.S. standards	
MONITORING	Door Latch monitoring	Non monitored
SIZE	L= 125 x W= 42 x D= 35mm	
IP RATING	N/A	Weather resistant IP56

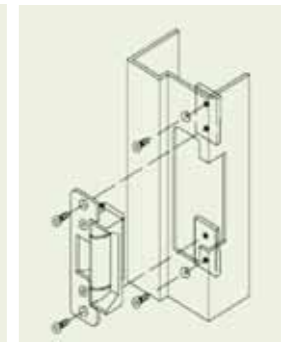
PRODUCT FEATURES

- Stainless steel faceplate and keeper
- Patented Barbell mechanism for simple change of locking function
- Low power consumption
- Compatible with door latch depth of up to 15mm
- Weather resistant IP56 (FES10 non monitored only)
- Superior holding strength of up to 1300kg
- 5 year warranty
- 12 or 24VDC operation
- Pre-drilled for extension lips

PRODUCT DIMENSIONS AND INSTALLATION



Mounting Installation on wooden door frame



Mounting installation on metal, aluminium or PVC door frame

ORDER DETAILS & ACCESSORIES

PART NO.	PRODUCT DESCRIPTION
FES10M	Electric Strike ANSI Footprint
FES10	Electric Strike ANSI Footprint weather resistant IP56
FES10-EL15	FES10 Extension Lip 15mm
FES10-EL25	FES10 Extension Lip 25mm
FES10-EL50	FES10 Extension Lip 50mm
FES10-EL75	FES10 Extension Lip 75mm